

# Refrigeration Controllers

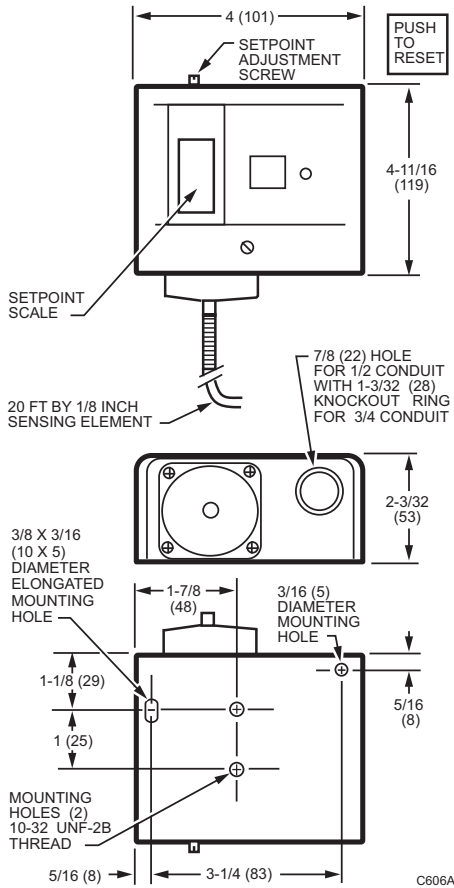
## L480; L482 Refrigeration Controller



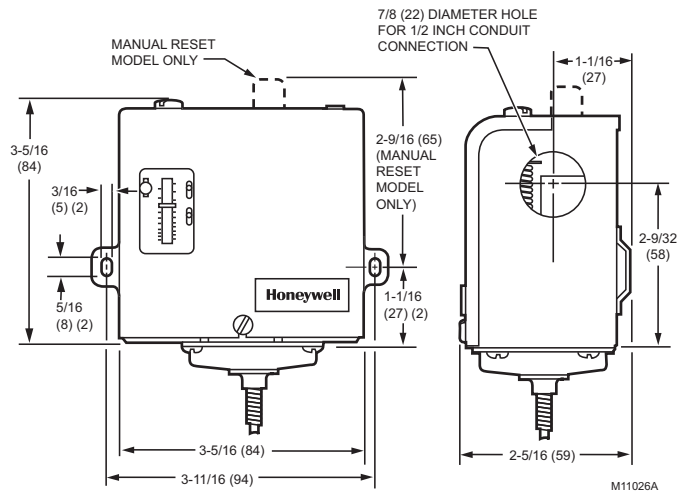
Used to limit or control temperature in air conditioning systems or refrigerated enclosures.

- Applications include freezer cabinets, display cases, beverage coolers, milk cooling tanks and air conditioners
- Can act as a frost alarm operator in storehouses or orchards where frost would damage crops or equipment
- Dual temperature scaleplate provided for both Fahrenheit and Celsius readings

L482 Dimensions in inches (millimeters)



L482 Dimensions in inches (millimeters)



**Type:** Averaging element  
**Voltage:** 120 Vac; 240 Vac  
**Frequency:** 50 Hz; 60 Hz  
**Sensor Element:** Coldest point on the capillary  
**Capillary Length:** 20 ft (6.1 m)  
**Approvals**  
**Canadian Standards Association:** Certified: File No. LR95329-1  
**Underwriters Laboratories, Inc:** File: SA481, Guide: SDFY

Commercial Components

Product Number	Application	Differential Temperature		Maximum Operating Temperature		Setting Temperature Range	Switching	Contact Ratings		Comments
		(F)	(C)	(F)	(C)	(F)		(120 Vac)	(240 Vac)	
L480B1239/U	Acts as frost alarm in storehouses, orchards, or other locations where frost could damage crops or equipment	10 F	5.6 C	125 F	52 C	20 F to 60 F	1 SPDT	10.2 AFL, 61.2 ALR	6.5 AFL, 39.0 ALR	—
L480G1044/U	For temperature or limit control of air conditioning systems and refrigeration units	15 F	8 C	125 F	52 C	20 F to 60 F	1 SPST	10.2 AFL, 61.2 ALR	6.5 AFL, 39.0 ALR	Manual reset
L482A1004/U	Provides temperature or limit control of air conditioning systems by operating electric motors for dampers, valves, compressors, or fans	5 F	2.8 C	140 F	60 C	15 F to 55 F	2 SPST, one N.O., one N.C.	Aux: 6.0 AFL, 36.0 ALR Main: 8.0 AFL, 48.0 ALR	Aux: 3.0 AFL, 18.0 ALR Main: 5.1 AFL, 30.6 ALR	Manual reset